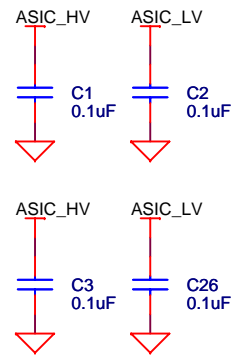
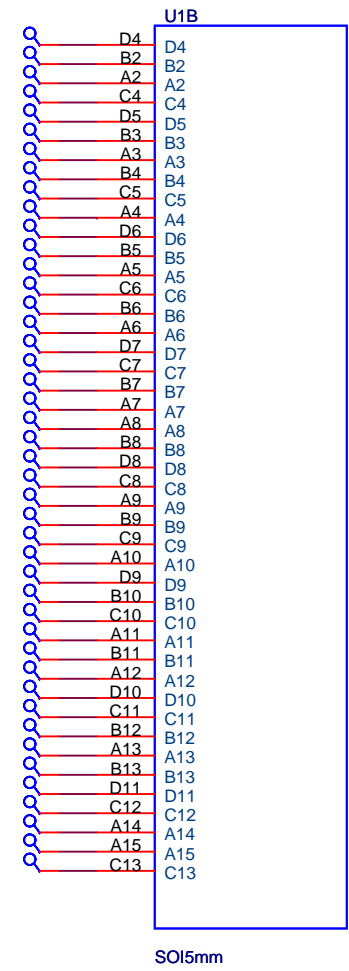


D

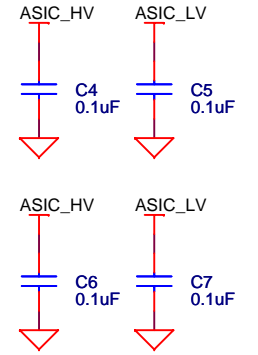
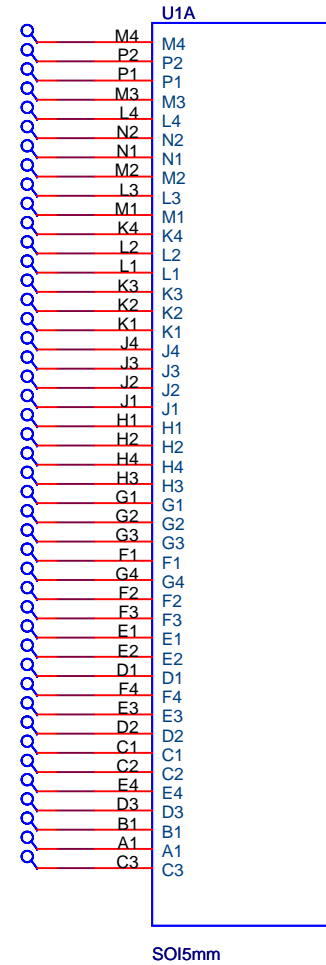
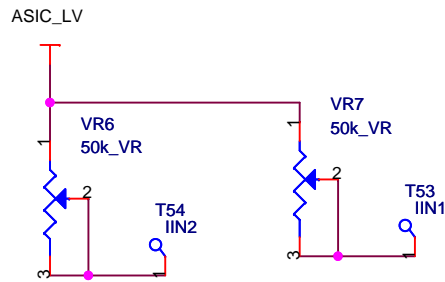
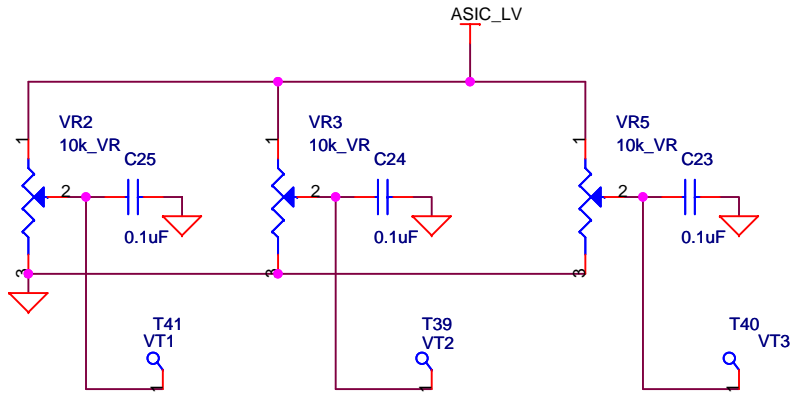
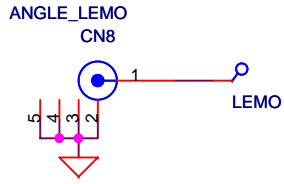
C

B

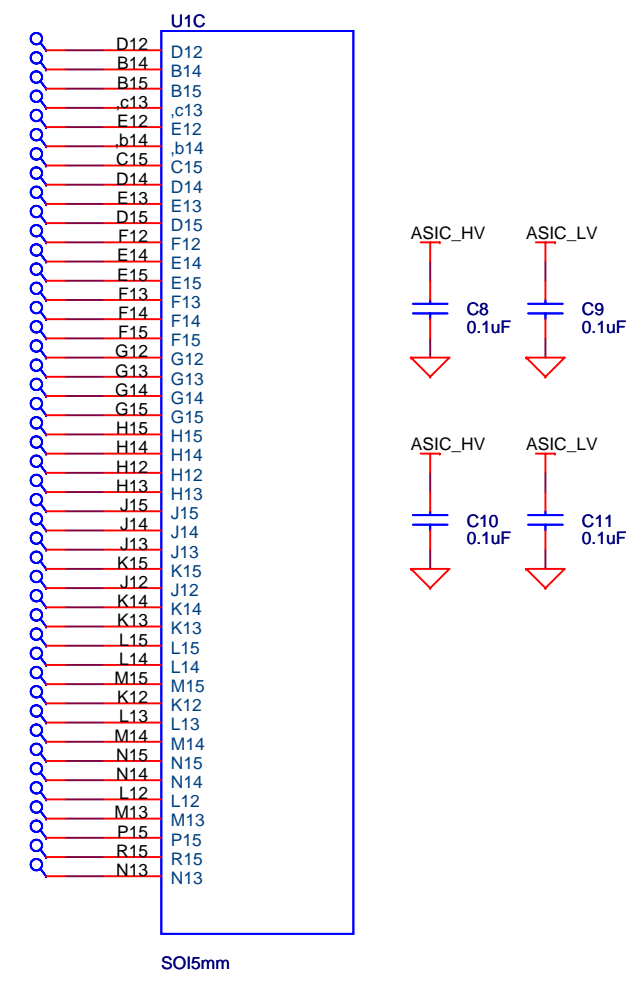
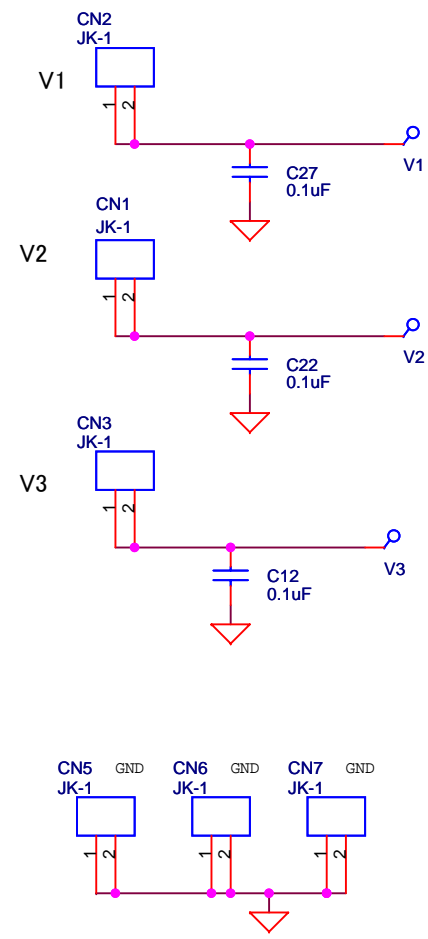
A



Title		
SOI-SiTCP Sub Board : TEG Bottom		
Size	Document Number	Rev
A4	KEK_ARAI_4	0.1
Date:	Monday, June 23, 2008	Sheet 1 of 5



KEK			
Title SOI-SITCP Sub Board : TEG Left			
Size A4	Document Number KEK_ARAI_4	Rev 0.1	
Date: Monday, June 23, 2008	Sheet 2	of 5	



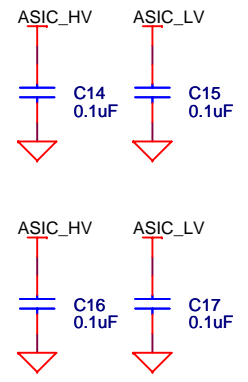
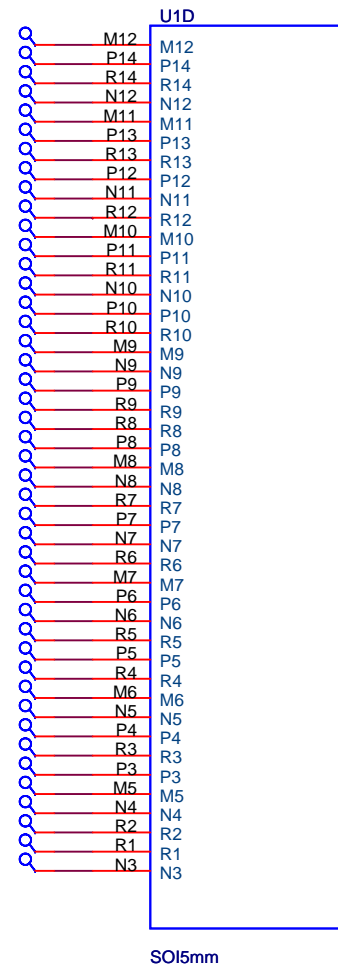
Title		
SOI-SiTCP Sub Board : TEG Right		
Size	Document Number	Rev
A4	KEK_ARAI_4	0.1
Date:	Monday, June 23, 2008	Sheet 3 of 5

D

C

B

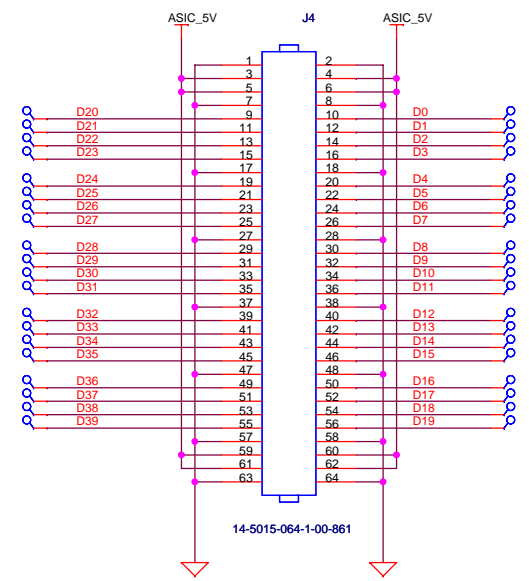
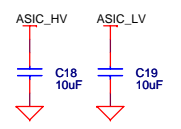
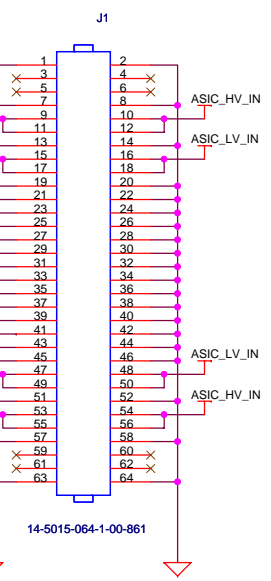
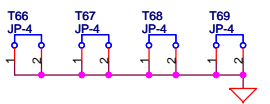
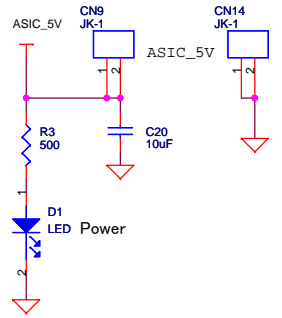
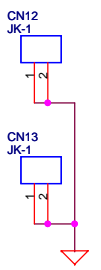
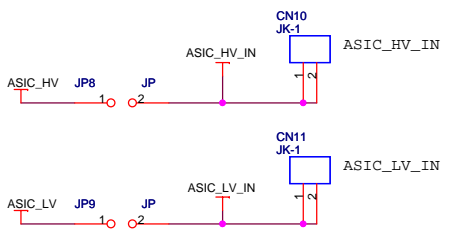
A



Title		
SOI-SiTCP Sub Board : TEG Top		
Size	Document Number	Rev
A4	KEK_ARAI_4	0.1
Date:	Monday, June 23, 2008	Sheet 4 of 5

D

D



C

C

B

B

A

A

KEK			
Title SOI-SITCP Sub Board : TEG Connectors			
Size A3	Document Number KEK-ARAI_4	Rev 0.1	
Date:	Monday, June 23, 2008	Sheet	5 of 5